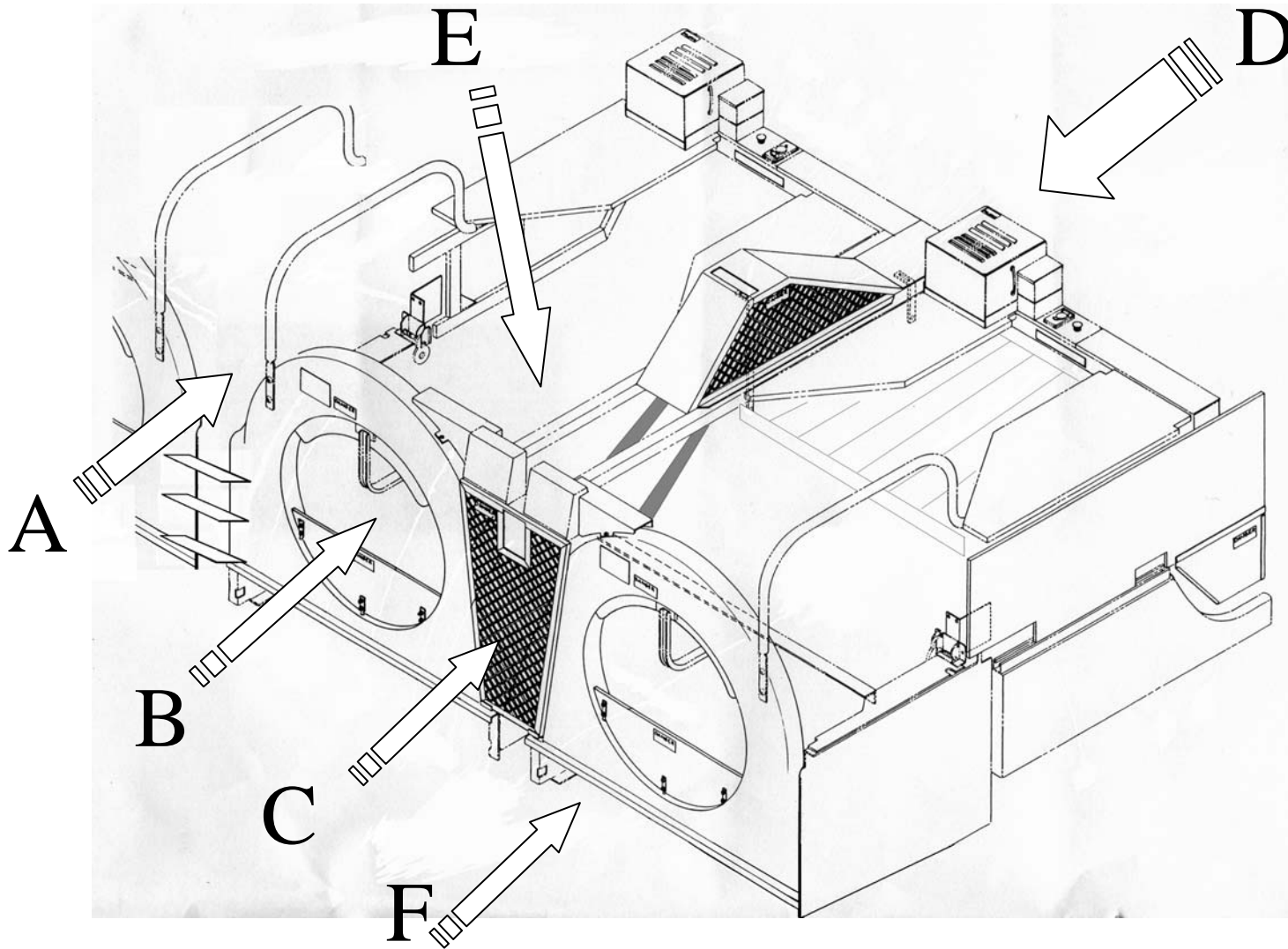


Main Access Points: AMF 82-90 Pinspotter Machines



Main Access Points

- A Ladder and plates between unnatural pairs
- B Pinwheel
- C Ball Lift (PBL)
- D Front of machine from under the masking unit / walking down the bowling lanes (can include from adjacent machines)
- E Access into the machine pit having accessed the top of the machine via route A or from adjacent machines by stepping over
- F At floor level